

Integrated Top Load Casepacker Salwasser Model ITL 300



Key Features

- Fully automatic casepacker with small footprint
- Accommodates a wide variety of products
- Opposed vacuum case opening increases reliability
- Tool-less changeover completed quickly with hand-crank handles
- Tape sealing or optional hot melt sealing
- Flexible infeed layout/configurations available
- Low profile, ergonomic KD case magazine

Integrated Top Load Casepacker

Salwasser Model ITL 300

Thiele's new Salwasser Model ITL 300 Integrated Top Load Case Packer is a fully automatic case packer capable of top loading your product into RSC or HSC cases. A variety of pick heads are available, including vacuum, mechanical, and combination vacuum/mechanical styles to accommodate almost any product. Featuring a low, ergonomic KD case magazine and a small overall footprint, the ITL 300 is ideal for nearly all production environments. Construction is available in dry, wash-down, or caustic wash-down options. The modular design allows for multiple infeed configurations as well as the ability to feed bliss cases or trays into the system. Case opening is securely handled with opposed vacuum cups, and positive case transfer is accomplished with servo driven side belts. Case sealing can be either standard tape or optional hot melt closure. Tool-less changeover is completed simply and quickly with hand crank handles.

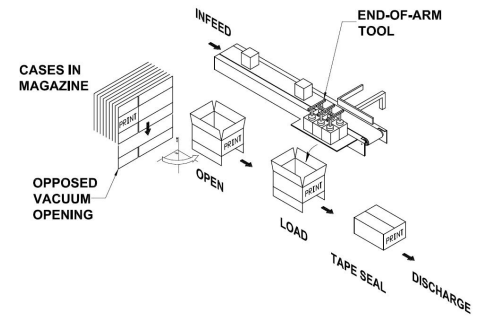
Standard Features

- Fully automatic
- Vacuum pick-head
- Low, ergonomic magazine
- Opposed vacuum case opening
- Small footprint
- Modular design
- Tape sealing
- Tool-less changeover
- PackML compliant
- Soft metric design

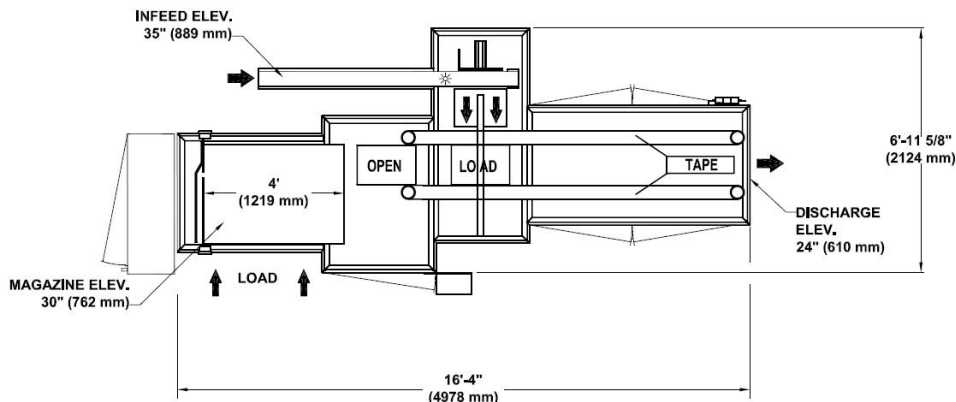
Optional Features

- Wash-down construction
- Hot-melt sealing
- Bliss or tray loading
- Robotic loading
- Mechanical and custom pick heads
- Flexible infeed layout/configurations
- Additional magazine length

Specifications		
Case Dimensions		
Set up:	Std Minimum:	Std Maximum:
Length	8" (20.32 cm)	20" (57.15 cm)
Width	5" (12.7cm)	14" (35.6 cm)
Depth	5" (12.7 cm)	15" (38.1 cm)



Case loading sequence



Compact footprint is ideal for small spaces

All sales are subject to our prevailing terms and conditions. Illustrations and specifications are subject to change without notice. Machines shown without guards are for illustrative purposes only. Guards are supplied and must be in place before operation.



Thiele Technologies

315 27TH AVENUE NORTHEAST | MINNEAPOLIS, MN 55418 USA
 +1 (612) 782-1200 | WWW.THIELETECH.COM | SALES@THIELETECH.COM