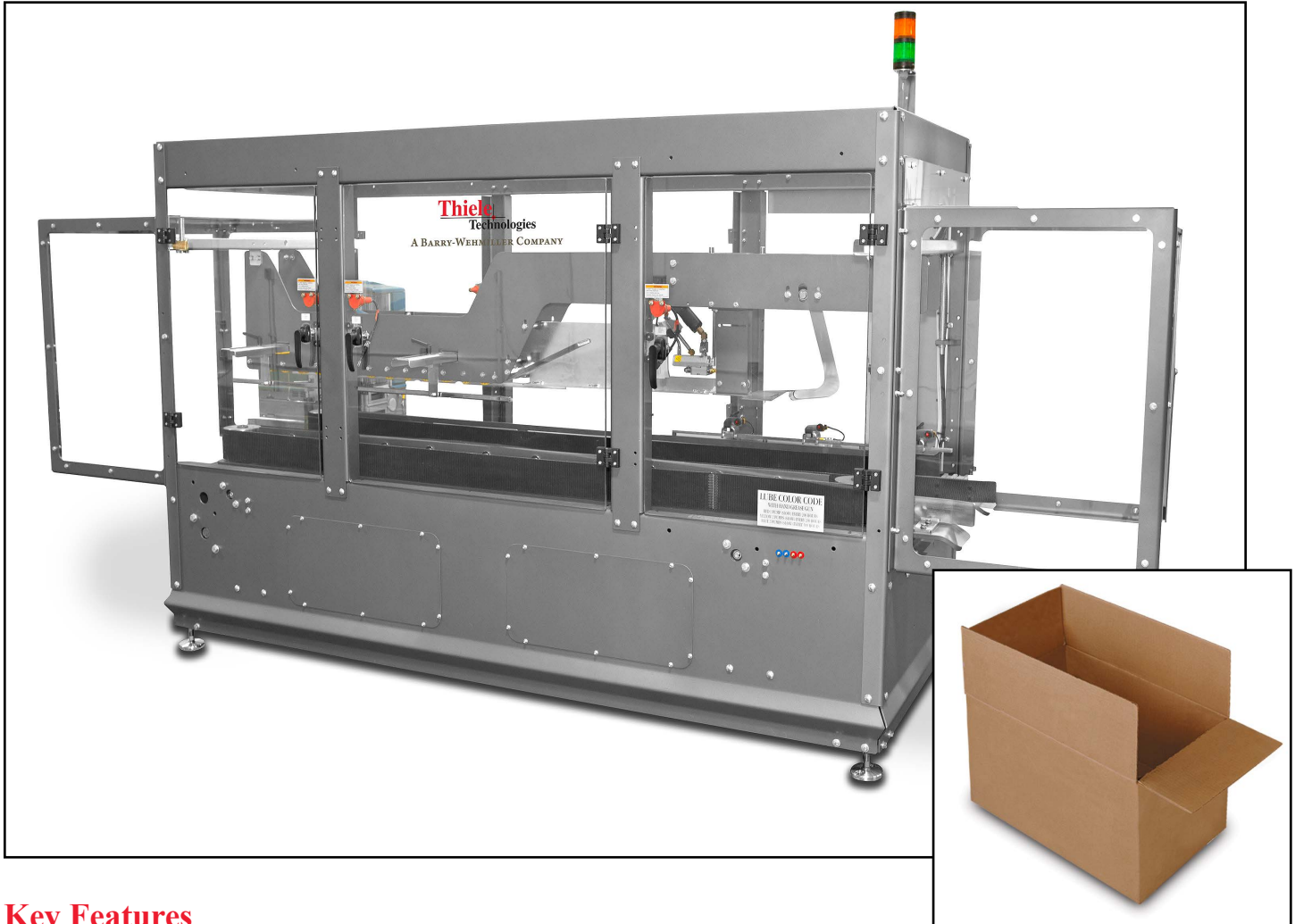


## SWF Case Sealer CS 430



### Key Features

- Seals up to 40 cases per minute
- No-tool changeover
- Hot melt or tape sealing
- Automatic case index gate
- Positive side belt case transfer
- PLC controls
- Simple operator interface with display

# SWF Case Sealer

## CS 430

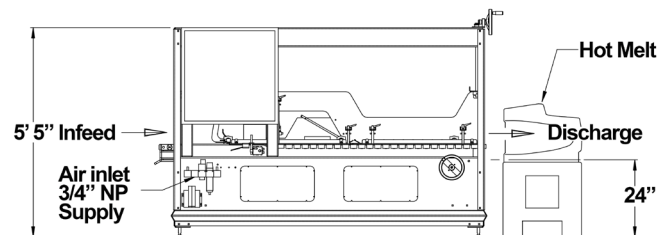
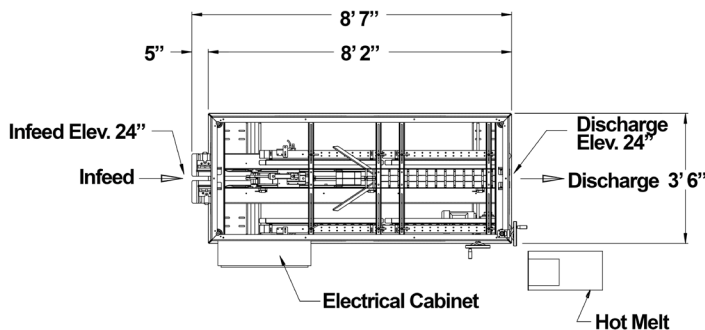
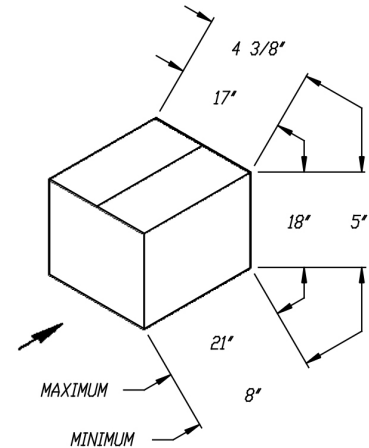
The SWF CS 430 case sealer is a rugged, highly efficient and versatile case sealer. It can be configured and manufactured to seal with either tape or optional hot melt glue. Changeover is simple with hand cranks or levers so that no tools are required. Cases are transferred through the sealer with side belts to allow positive transfer and maintain square flap sealing. The automatic case indexing gate allows the CS 430 to be part of your system with no operator case handling needed. The standard machine can operate up to 30 cases per minute with an economical pneumatic flap tucker. An optional servo motor can be used for speeds above 30 per minute.

For more than 60 years, the SWF product line has been a leader in bliss, tray and case erecting solutions. We can help you and your corrugated supplier to determine the best packaging design and machinery solution for your application. Please contact us to discuss your project.

### Optional Features

- Corrosion resistant packages
- Servo flap tucker
- Side flange case sealing
- Custom case size range

Case Size Capabilities		
	Minimum	Maximum
Length	8" (203 mm)	21" (533 mm)
Width	4 <sup>3</sup> / <sub>8</sub> " (111 mm)	17" (432 mm)
Depth	5" (127 mm)	18" (457 mm)



*All sales are subject to our prevailing terms and conditions. Illustrations and specifications are subject to change without notice. Machines shown without guards are for illustrative purposes only. Guards are supplied and must be in place before operation.*