

**SWF BLISS-MATIC® Bliss Case Former
BF 400V**



Key Features

- Up to 35 trays / min (depending on size and style)
- Small footprint
- Portable
- Forms hundreds of tray designs
- Rugged, 24/7 construction
- Simple operator interface
- PLC controls
- Polycarbonate interlocked guard package
- Thousands of Thiele/SWF installations worldwide
- Backed by a world-class service team

SWF BLISS-MATIC® Bliss Case Former

BF 400V

The SWF line of bliss and tray formers dates back to the 1940's. With an install base of more than 5,000 machines worldwide, this versatile equipment can form hundreds of different styles of tray and bliss cases. Featuring a small footprint, these ruggedly built machines require little floor space and are easily moved on their casters or by fork lift to accommodate plant changes as necessary. With mechanical simplicity and durability as a primary focus, long life cycles are common among our installations.

Through the use of various material combinations, bliss boxes can have a high strength to weight ratio. Standard machine range dimensions are shown to the right.

With our extensive experience, Thiele can work with you and your corrugated material supplier to create the best solution for you.

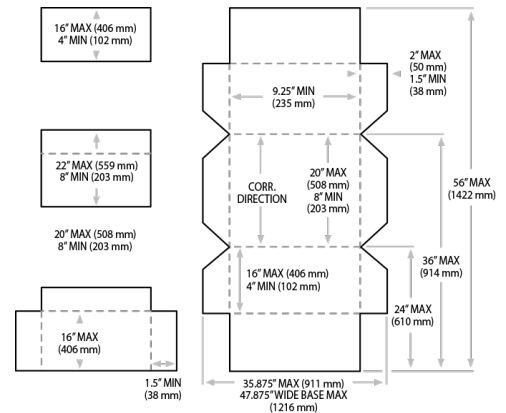
Optional Features

- High capacity hoppers - fit various production needs
- Kwik-change features - reduce change-over time
- Various glue systems - pressurized, mechanical, cold
- Large capacity glue systems - to reduce filling intervals
- Automatic HSC lidding attachment - inserts formed tray into HSC cover
- Servo driven mandrel - allows intermittent folding sequence

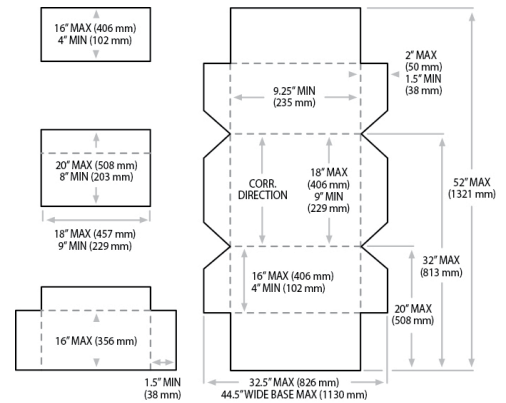
Additional Options

- Operator and material staging platform
- Corrosion resistant packages
- Automatic stacking system for trays
- Roll-over mechanism to create display windows
- Discharge conveyors

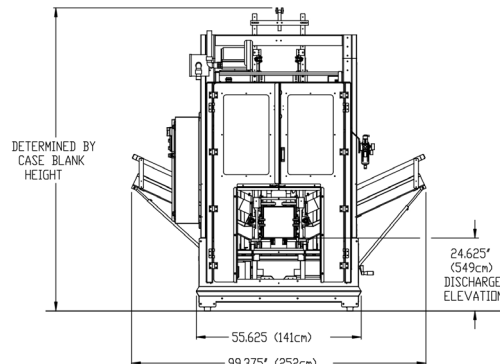
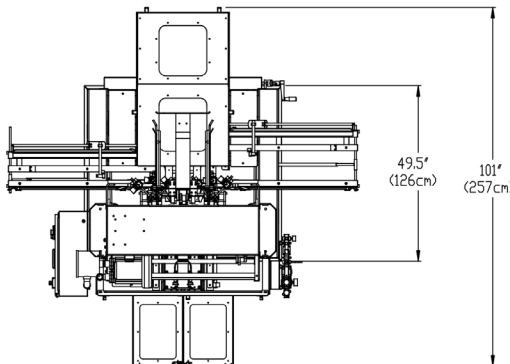
Standard and Wide Base Models



Kwik-Change Model



Dimensions specified are preliminary only and may vary depending on box size; please add 12" for wide-base model



All sales are subject to our prevailing terms and conditions. Illustrations and specifications are subject to change without notice. Machines shown without guards are for illustrative purposes only. Guards are supplied and must be in place before operation.